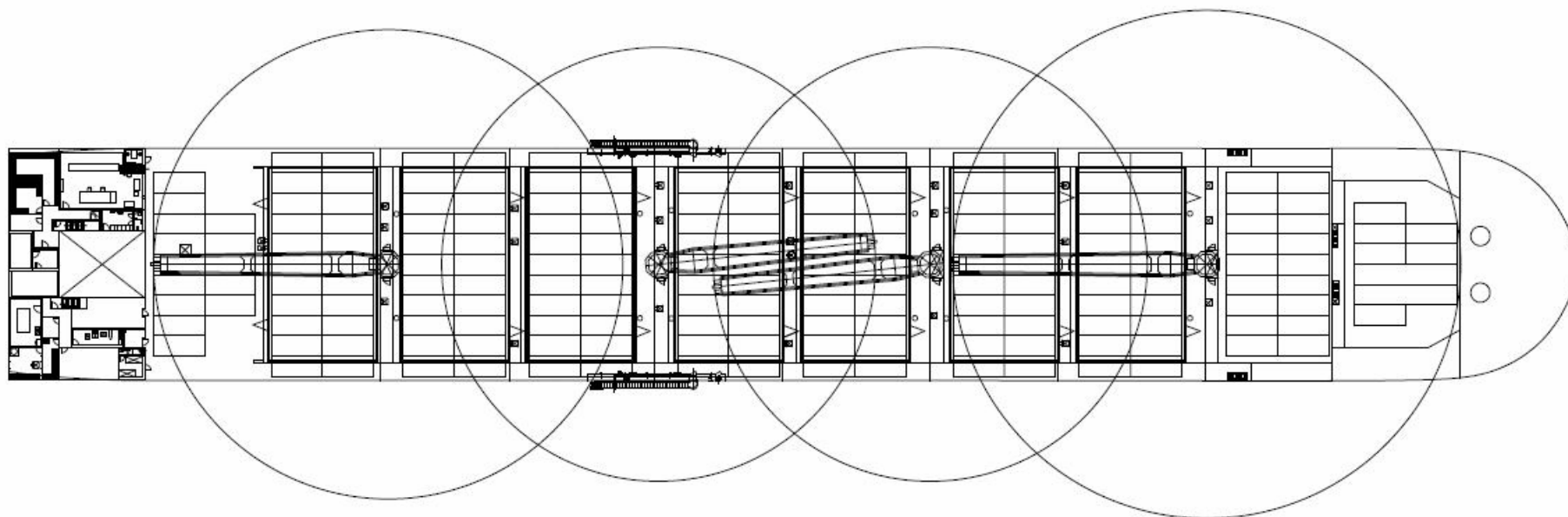
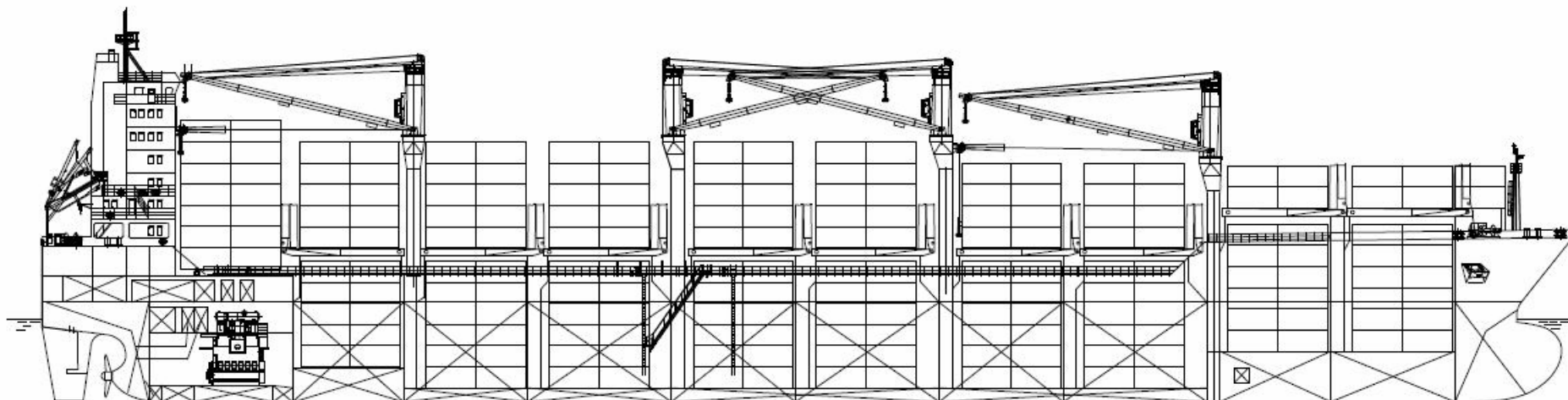


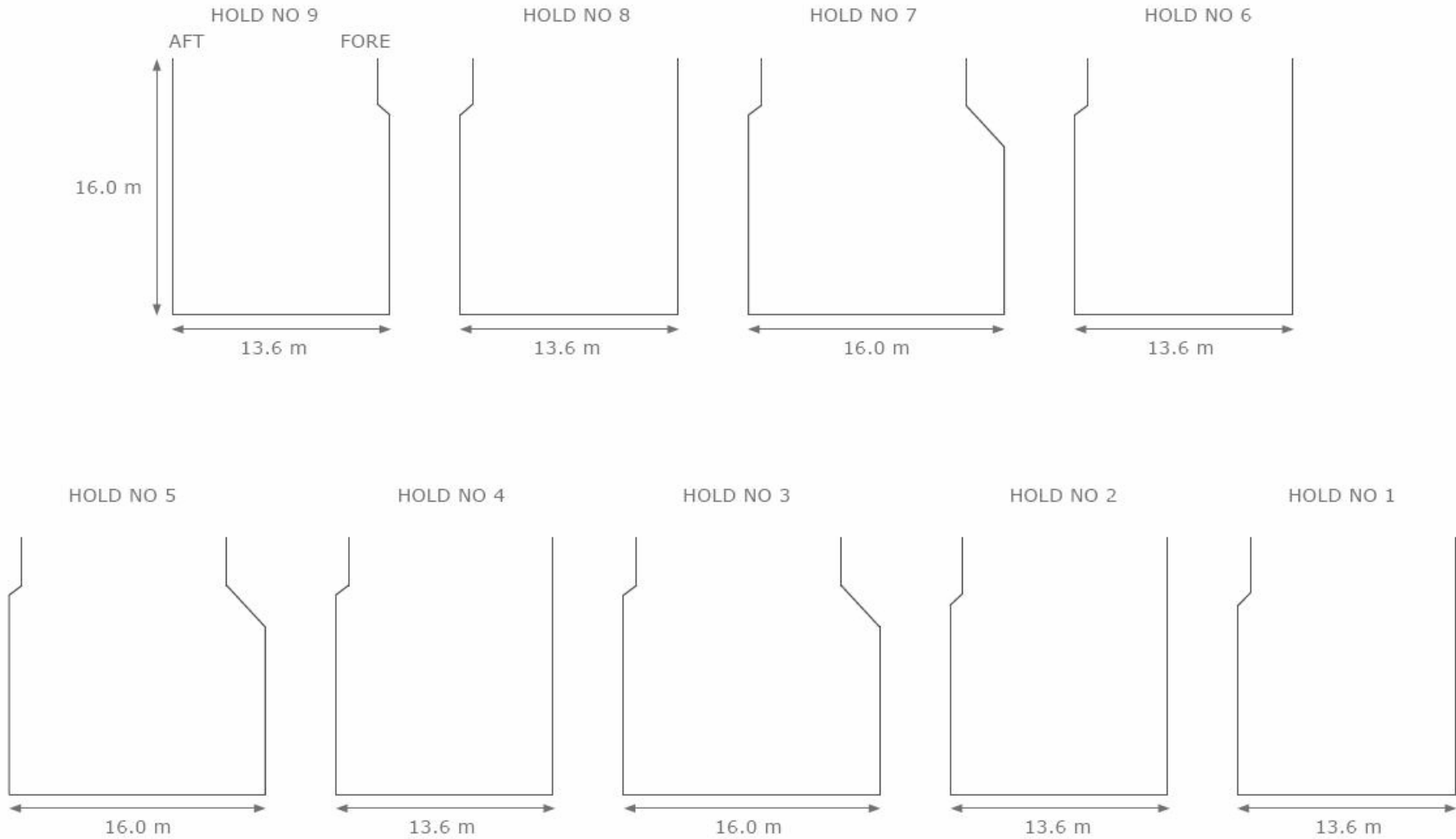
ATACAMA CLASS



ATACAMA CLASS – DESCRIPTION

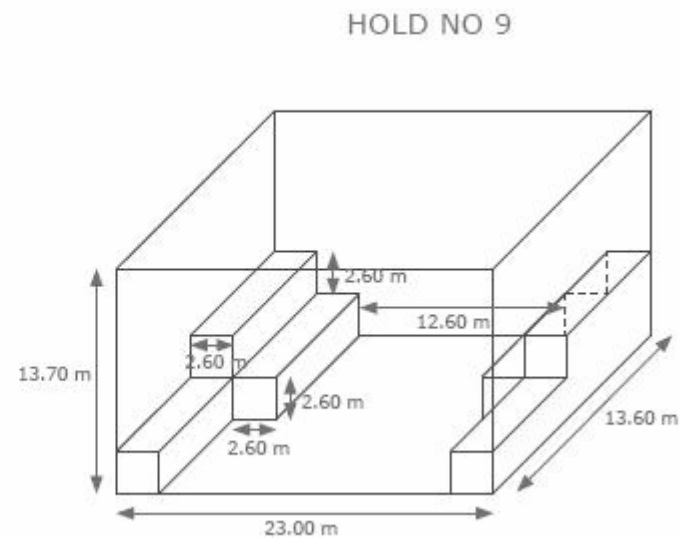
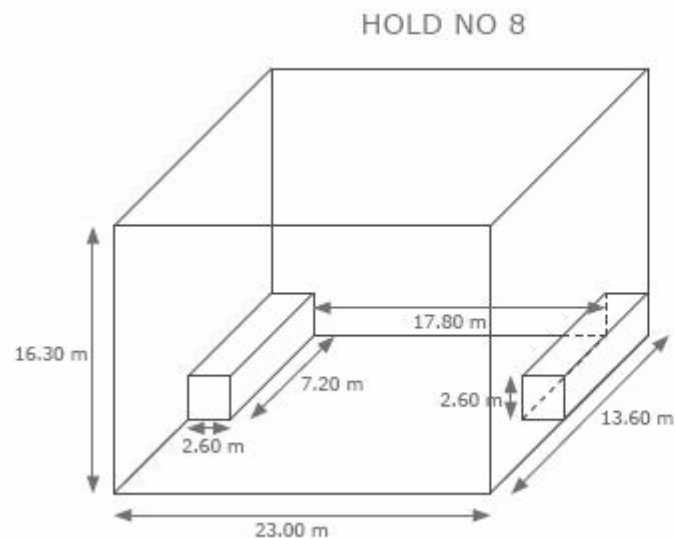
Type	Singledeck Open Hatch Type – General Cargo Carrier	Permissible loads	Cargo hold tank tops: Abt. 20,00 mts/sqm Main deck: Abt. 4,00 mts/sqm
Built	ATACAMA 2004 / LEVANTE 2004 LOMBARDIA 2005 / CATALONIA 2005		Hatch covers: Abt. 3,00 mts/sqm
Deadweight	Abt 35.200 mts	Capacity of tanks	Heavy fuel oil tank: Abt. 1.950 cbm Diesel oil: Abt. 118 cbm Ballast water tank: Abt. 13.592 cbm Fresh water: Abt. 193 cbm
Principal dimensions	Length, over all: Abt. 188,00 mtrs Breadth moulded: Abt. 27,70 mtrs Depth moulded: Abt. 15,50 mtrs Scantling draft: Abt. 11,30 mtrs	Speed	Consumption (IFO 380 CST) at sea Laden: 14,0 knots on 32 mts Ballast: 14,5 knots on 30 mts No diesel at sea
Cargo crane	4 Cranes (between hold no. 2-3, 4-5, 6-7, 8-9) Hoisting load: Abt. 40,00 mts Hoisting speed: Abt. 20,00 mtrs/min. Working radius: Max. 26,00 mtrs Slewing angle: 360 degrees	Main engine	Sulzer Diesel 6RTA 48T-B 8.730 kw 127 rpm
Holds	9 Holds		
Hatches	9 Hatches Mac Gregor hydraulic folding type closed construction with flush type grain feeder openings		
Cargo capacities	Abt. 44.673 cbm		
Container intake	TEU 1.866 / FEU 912 - 100 reefer plugs		

ATACAMA CLASS



ALL HOLDS ARE FULL OPEN WITH NO UNDERSTOW P/S AND WIDTH OF 23 m / HOLD 1 WIDTH OF 20 m

ATACAMA CLASS – HOLD DIMENSION & CARGO CAPACITY



HOLD NO	GRAIN/BALE CAPA (cbm)	TANK TOP DIM (m, l x w x h)	HATCH DIM (m, l x w)	NOMINAL CONTAINER INTAKE
1	4.000	13,60 x 20,00 x 16,00	12,80 x 20,00	1.866 x 20 DV
2	5.012	13,60 x 23,00 x 16,00	12,80 x 23,00	912 x 40 DV + 22 x 20 DV
3	5.661	16,00 x 23,00 x 16,00	12,80 x 23,00	HOMOGENEOUS CONTAINER INTAKE
4	5.013	13,60 x 23,00 x 16,00	12,80 x 23,00	10 mts = 1.627 TEU
5	5.640	16,00 x 23,00 x 16,00	12,80 x 23,00	12 mts = 1.535 TEU
6	5.013	13,60 x 23,00 x 16,00	12,80 x 23,00	14 mts = 1.477 TEU
7	5.650	16,00 x 23,00 x 16,00	12,80 x 23,00	16 mts = 1.413 TEU
8	4.896	13,60 x 23,00 x 16,00	12,80 x 23,00	18 mts = 1.342 TEU
9	3.788	13,60 x 23,00 x 16,00	12,80 x 23,00	
TOTAL	44.673			