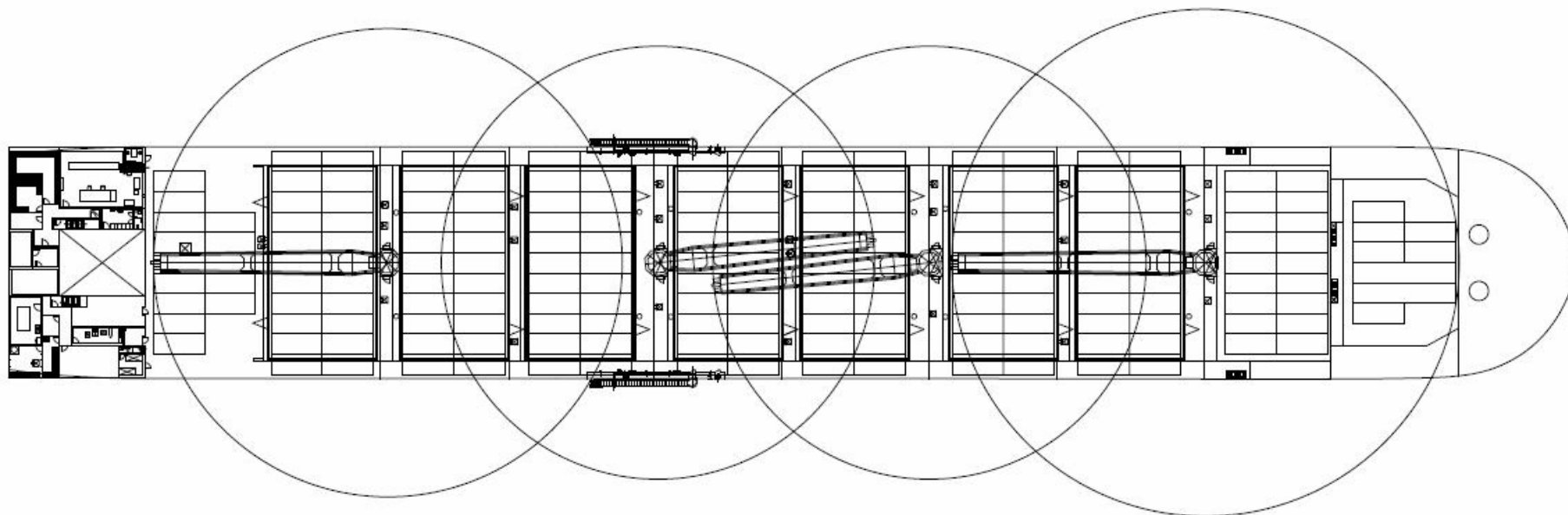
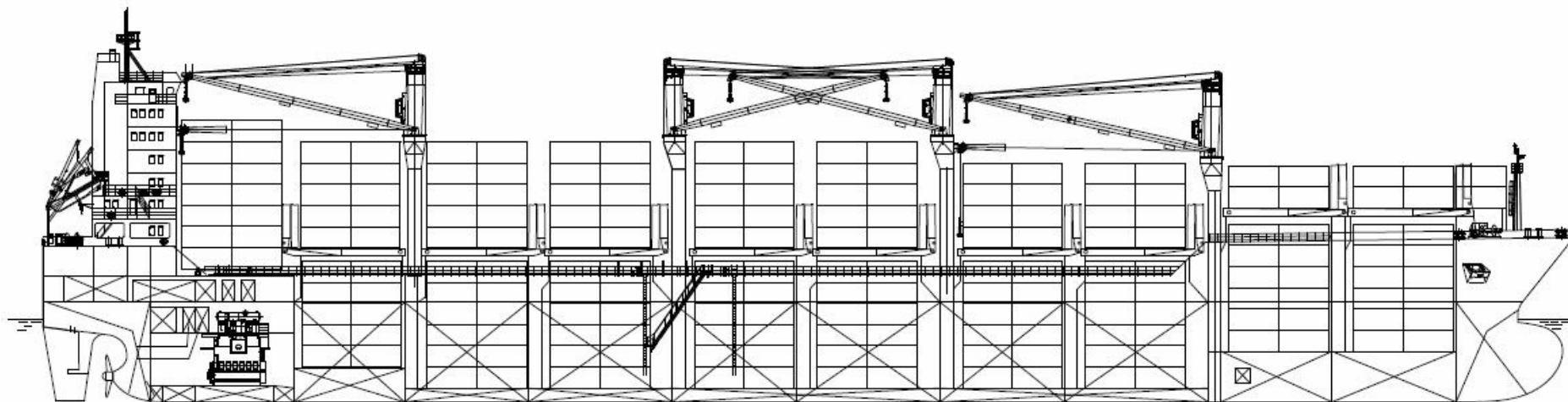


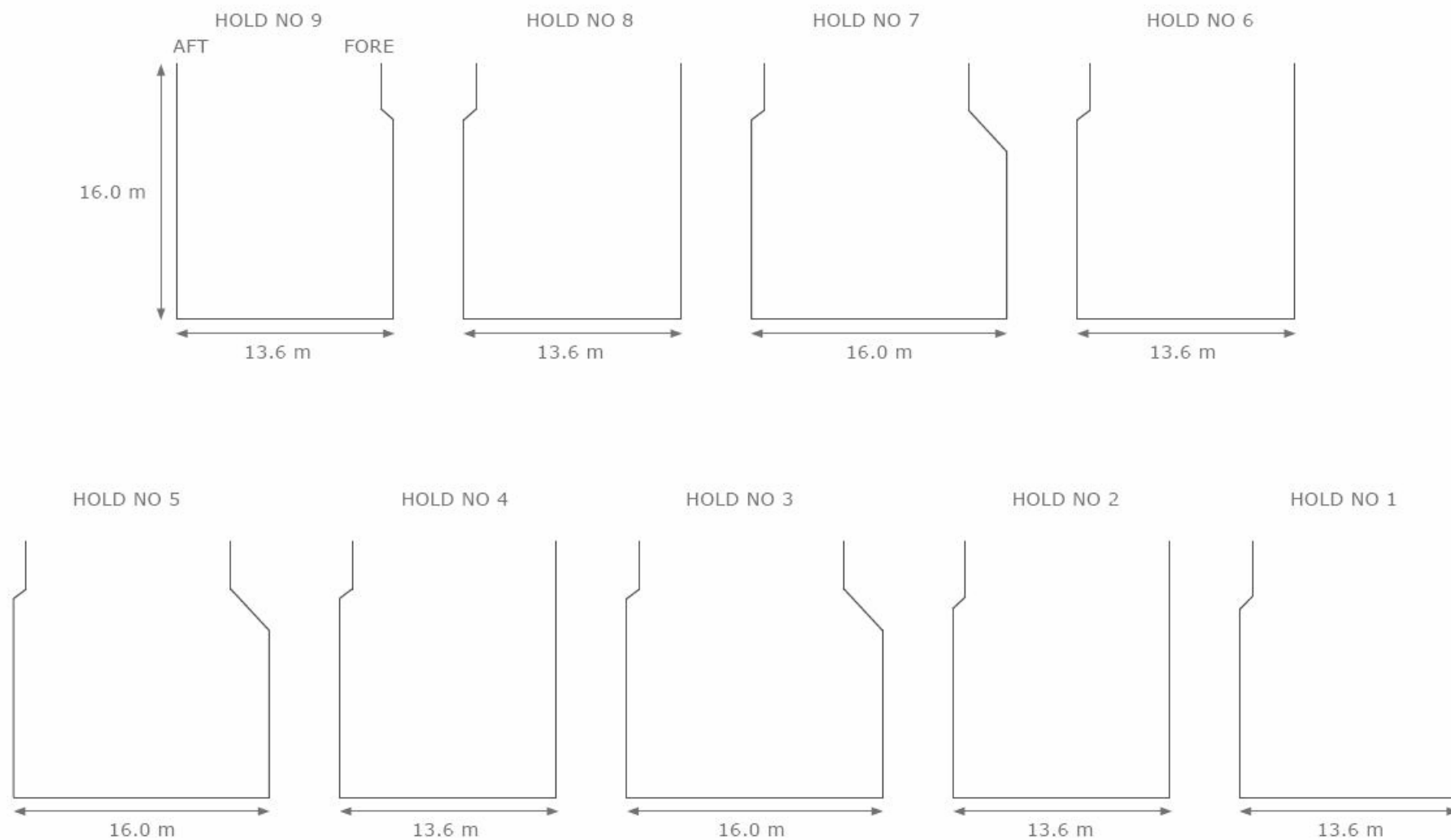
## SOLENT CLASS



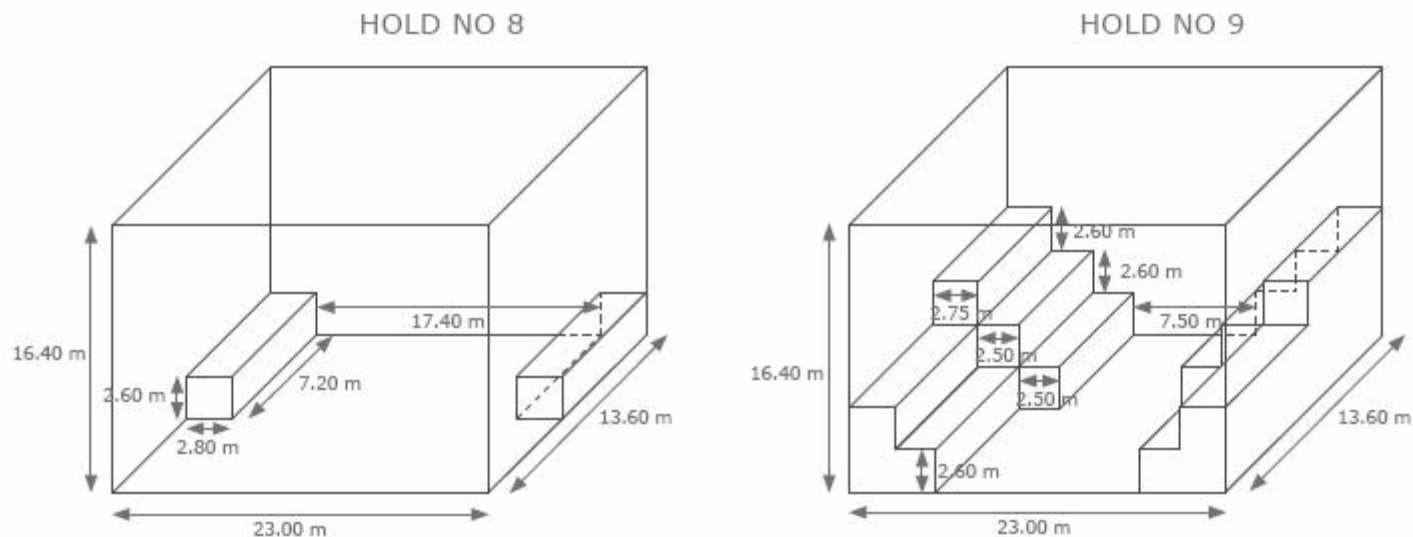
## SOLENT CLASS – DESCRIPTION

<b>Type</b>	Singledeck Open Hatch Type - General Cargo Carrier	<b>Permissible loads</b>	Cargo hold tank tops: Abt. 20,00 mts/sqm Main deck: Abt. 4,00 mts/sqm Hatch covers: Abt. 3,00 mts/sqm
<b>Built</b>	SOLENT 2002 / CALEDONIA 2002 VALDIVIA 2003 / CALABRIA 2004		
<b>Deadweight</b>	Abt. 35.200 mts	<b>Capacity of tanks</b>	Heavy fuel oil tank: Abt. 1.950 cbm Diesel oil: Abt. 118 cbm Ballast water tank: Abt. 13.592 cbm Fresh water: Abt. 193 cbm
<b>Principal dimensions</b>	Length, over all: Abt. 188,00 mtrs Breadth moulded: Abt. 27,70 mtrs Depth moulded: Abt. 15,50 mtrs Scantling draft: Abt. 11,30 mtrs	<b>Speed</b>	Consumption (IFO 380 CST) at sea Laden: 14,0 knots on 32 mts Ballast: 14,5 knots on 30 mts No diesel at sea
<b>Cargo crane</b>	4 Cranes (between hold no. 2-3, 4-5, 6-7, 8-9) Hoisting load: Abt. 40,00 mts Hoisting speed: Abt. 20,00 mtrs/min. Working radius: Max. 26,00 mtrs Slewing angle: 360 degrees	<b>Main engine</b>	Sulzer Diesel 6RTA 48T-B 8.730 kw 127 rpm
<b>Holds</b>	9 Holds		
<b>Hatches</b>	9 Hatches Mac Gregor hydraulic folding type closed construction with flush type grain feeder openings		
<b>Cargo capacities</b>	Abt. 45.069 cbm		
<b>Container intake</b>	TEU 1.874 / FEU 915 - 100 reefer plugs		

## SOLENT CLASS



## SOLENT CLASS – HOLD DIMENSION & CARGO CAPACITY



HOLD NO	GRAIN/BALE CAPA (cbm)	TANK TOP DIM (m, l x w x h)	HATCH DIM (m, l x w)	NOMINAL CONTAINER INTAKE
1	4.000	13,60 x 20,00 x 16,00	12,80 x 20,00	1.874 x 20 DV
2	5.012	13,60 x 23,00 x 16,00	12,80 x 23,00	915 x 40 DV + 22 x 20 DV
3	5.661	16,00 x 23,00 x 16,00	12,80 x 23,00	HOMOGENEOUS CONTAINER INTAKE
4	5.013	13,60 x 23,00 x 16,00	12,80 x 23,00	10 mts = 1.627 TEU
5	5.640	16,00 x 23,00 x 16,00	12,80 x 23,00	12 mts = 1.535 TEU
6	5.013	13,60 x 23,00 x 16,00	12,80 x 23,00	14 mts = 1.477 TEU
7	5.650	16,00 x 23,00 x 16,00	12,80 x 23,00	16 mts = 1.413 TEU
8	4.896	13,60 x 23,00 x 16,00	12,80 x 23,00	18 mts = 1.342 TEU
9	4.184	13,60 x 23,00 x 16,00	12,80 x 23,00	
<b>TOTAL</b>	<b>45.069</b>			